

Protistor® size 2x122 aR

2000VDC

SEMICONDUCTOR PROTECTION FUSES

SQUARE BODY HIGH-SPEED FUSE-LINKS DC PROTECTION



Mersen DC offers provide a very high performant protection for railway power and auxiliary circuits. Mersen DC Semiconductor fuse-links were developed to provide improved performance required by today's new DC equipment. These fuse-links are typically operated at more elevated temperature than other fuse type, have lower I^2t to minimize damage to protected components on short circuits, lower watts loss and longer life.

TECHNICAL DATA OVERVIEW

Voltage DC	2000 VDC
Ampere Range (A)	500 ... 800 A
Speed/Characteristic	aR
Product Size	2x122
Package	1
Weight	3.35 kg

FEATURES & BENEFITS

- Extremely fast acting
- Extremely current limiting
- Very low I^2t
- Worldwide acceptability
- Superior cycling ability

APPLICATIONS

- Protection of inverters
- Protection of motor drives
- Protection of UPS systems
- Protection of similar 2000V or less equipments
- Railway power and auxiliary circuits

STANDARDS

- IEC 60269-4 compliance

Protistor® size 2x122 aR

2000VDC

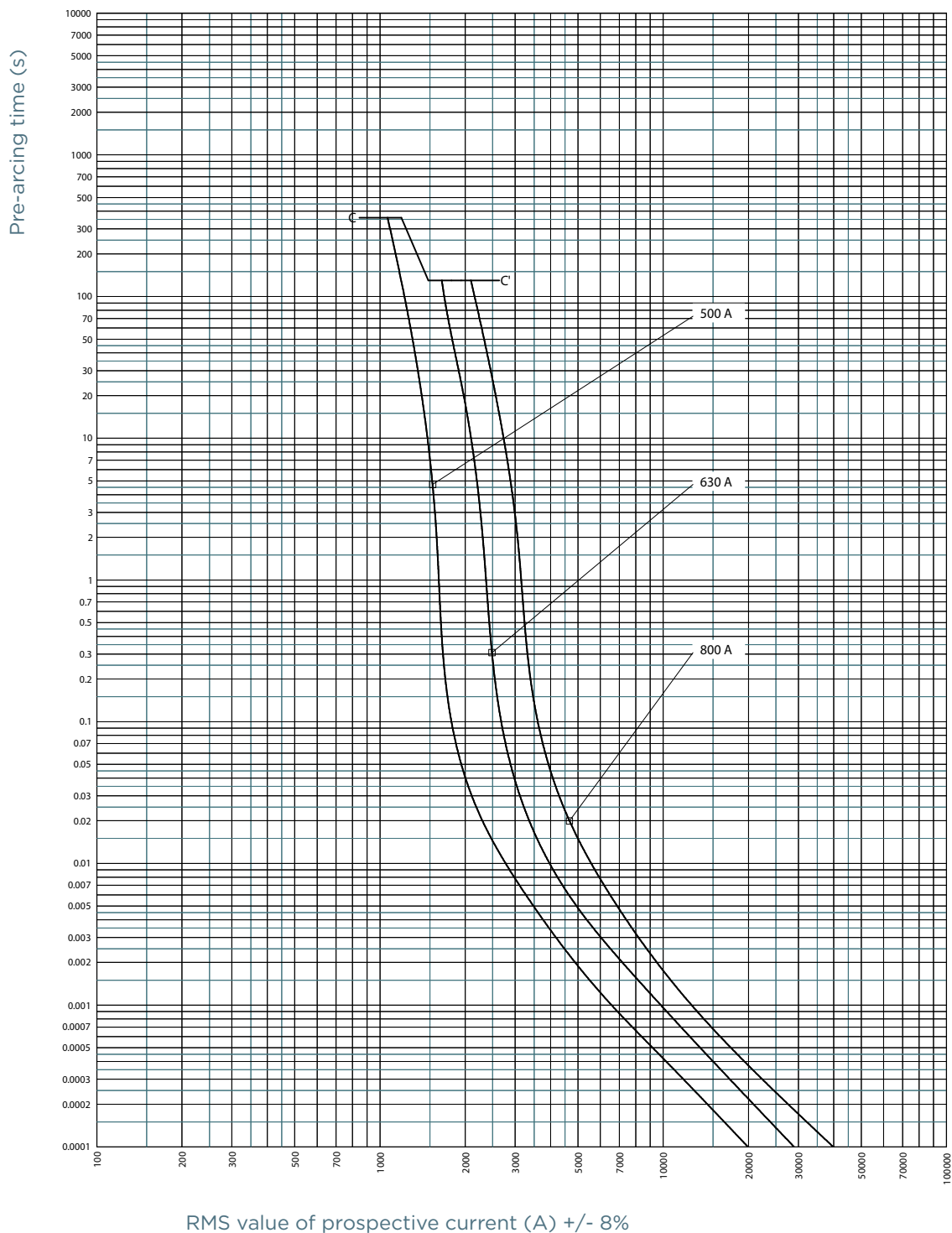
PRODUCT RANGE

Size 2x122 SR 2000VDC

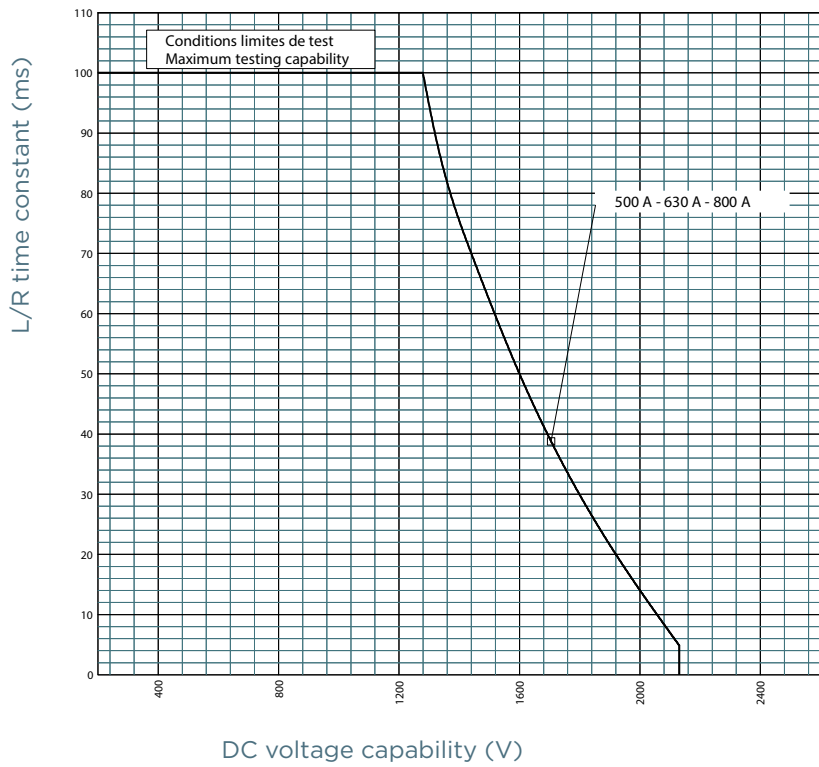
Catalog number	Item number	Rated voltage DC (IEC)	Rated current I _n	Rated breaking capacity DC	Max. total I ² t @1600V for L/R=15ms	Max. total I ² t @1600V for L/R=45ms	Power dissipation at I _n	Power dissipation at 0.8 I _n	Operating I ² t at Rated Voltage	Package	Weight
D2122SD20C500QF	E076640	2000 V	500 A	100 kA	200000 A ² s	348000 A ² s	274 W	145 W	200000 A ² s	1	3.35 kg
D2122SD20C630QF	F076641	2000 V	630 A	100 kA	468000 A ² s	800000 A ² s	314 W	155 W	468000 A ² s	1	3.35 kg
D2122SD20C800QF	V096066	2000 V	800 A	100 kA	876000 A ² s	1520000 A ² s	367 W	182 W	876000 A ² s	1	3.35 kg

MERSEN reserves the right to change, update or correct, without notice, any information contained in this datasheet.

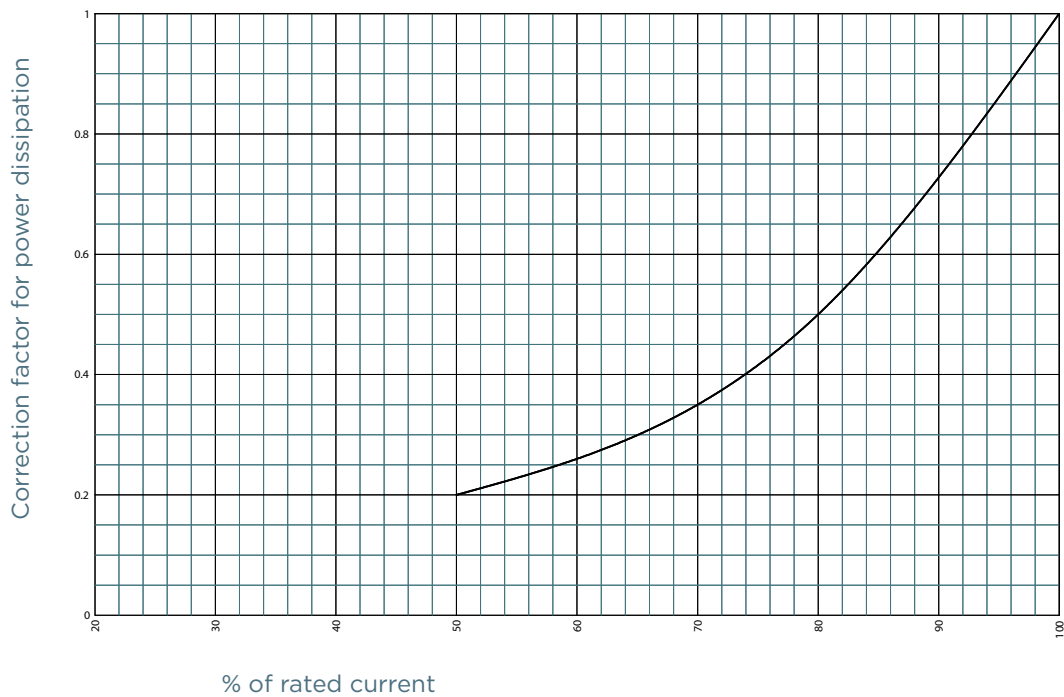
TIME CURRENT CHARACTERISTIC CURVES



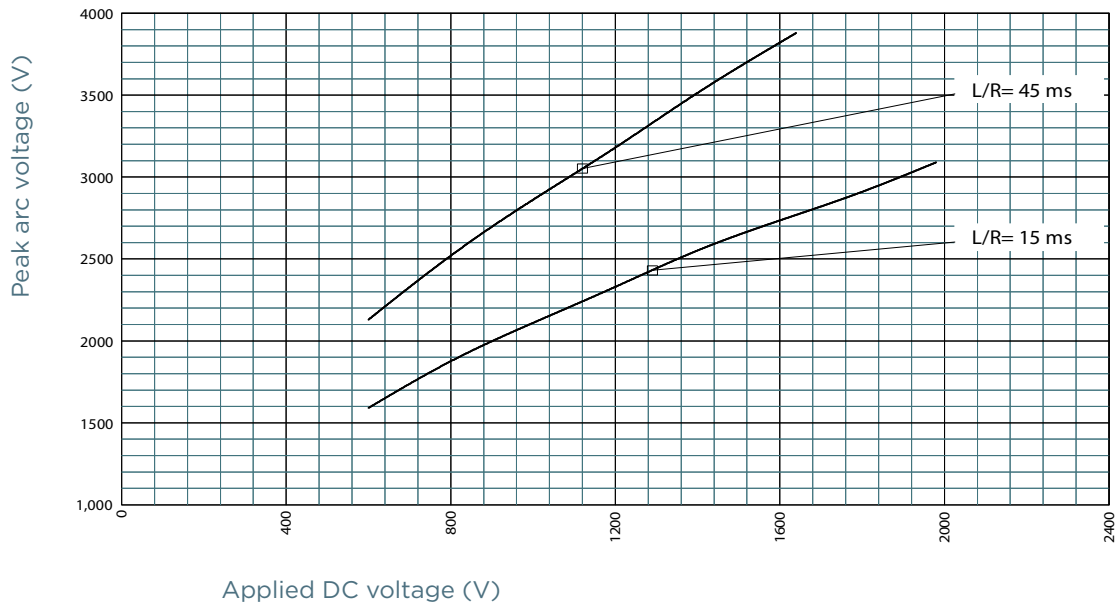
L/R TIME CONSTANT VS DC VOLTAGE CAPABILITY



POWER DISSIPATION



PEAK ARC VOLTAGE

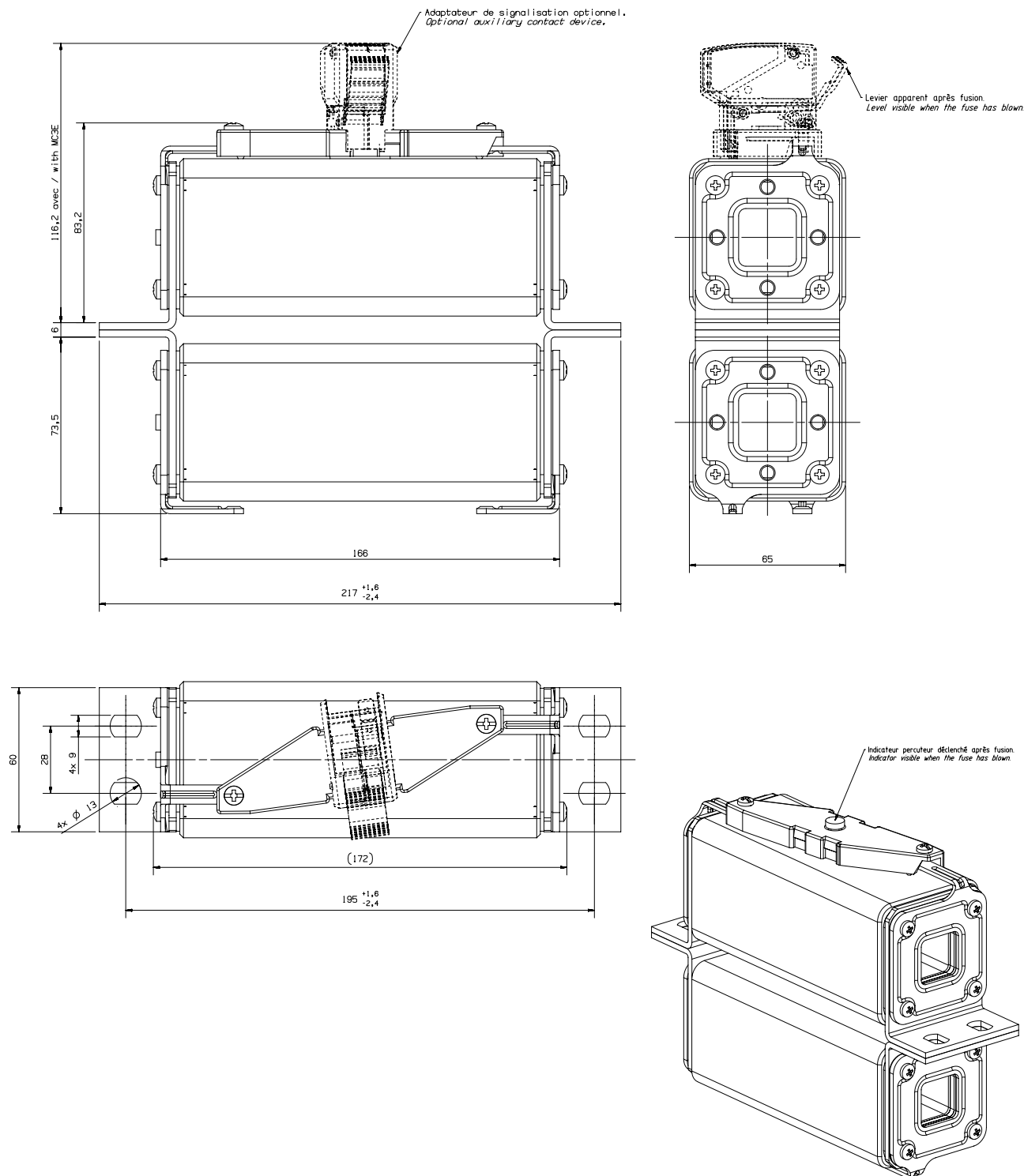


Protistor® size 2x122 aR

2000VDC

DIMENSIONS

Size 2x122aR 2000VDC



Dimensions in mm